

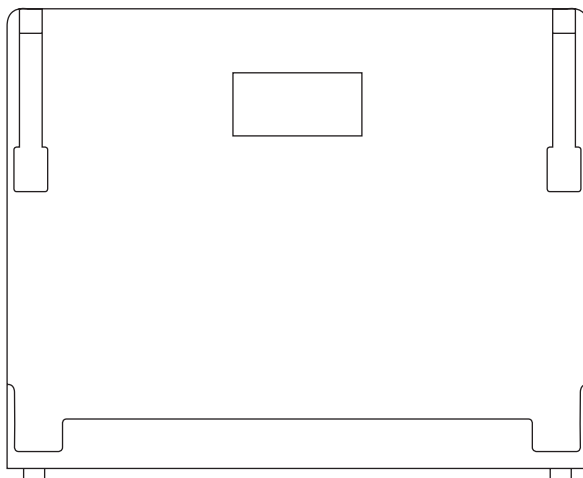
Aus Erfahrung Gut

AEG

Favorit 45250Vi

Dishwasher

Instruction booklet



CE

Dear customer

Please read these user instructions carefully. Please observe the safety instructions on the first few pages of this instruction book. Save these instructions and make sure they remain with the dishwasher if it is moved or sold, so that everyone using it through its life can be properly informed on appliance use and safety.



The warning triangle and/or specific words (**Warning!**, **Caution!**, **Important!**) are used to highlight instructions that are important for your safety or for the function of the appliance. It is imperative that these instructions are observed.



This symbol or numbered instructions lead you step by step through the operation of the appliance.



Next to this symbol you receive additional information and practical tips on using the appliance.



Tips and instructions for the economical and environmentally friendly use of the appliance are marked with a clover leaf.

In the event of a malfunction, these operating instructions contain information on how to rectify faults yourself, see the section "What to do if..."

If these instructions are insufficient, please contact your Service Centre.



This dishwasher has a new feature called "IMPULSE WASHING". This washing system varies both the revolutions of the pump and the water pressure for more intensive cleaning of the dishes during the programme. That is why different sections of the programme cycle do not sound the same.

Printed on paper manufactured with environmentally sound processes.
He who thinks ecologically acts accordingly...

Contents

Instruction book	4-23
Safety information	4
Disposal	6
General information.....	7
Description of the appliance.....	8
Prior to using for the first time.....	10
Programme chart	14
Loading the dishes.....	16
Using the appliance	17
Care and cleaning.....	20
What to do if.....	22
Service	24-25
Service and spare parts	24
Information for test centres	25
Position and connection instructions	26-35
Technical specifications.....	26
Installation	27

Instruction book



Safety information

The safety aspects of AEG electrical appliances comply with accepted technical standards and the German Appliance Safety Law.

Nevertheless, as a manufacturer we consider it our obligation to make you aware of the following safety information:

General safety

- Only wash household dishes using the dishwasher. If the appliance is used for other purposes, or is used incorrectly, the manufacturer cannot accept any liability for any damage caused.
- Additions or modifications to the dishwasher are not permitted for safety reasons.

Before using the dishwasher for the first time

- Check the dishwasher for transport damage. Never connect a damaged machine. In the case of damage, please contact your retailer.
- For information on how to correctly install and connect up your dishwasher, please read the "Installation" section.
- Before installing the appliance, ensure that the nominal voltage and type of supply on the rating plate match that of the supply where the appliance is to be installed. The fuse rating can also be found on the rating plate.

Child safety

- Ensure that the plastic bags included in the packaging are kept away from children who do not understand the dangers.
- Children may not recognise the dangers of improper use of electrical appliances. You should therefore ensure proper supervision during operation and not allow children to play with the dishwasher.
- Detergents may have a caustic effect on eyes, mouth and throat and may even cause suffocation. Keep all detergents in a safe place out of children's reach.
- The water in your dishwasher is not suitable for drinking. If there are still remnants of detergent in the appliance, there is a risk of burns. Keep children well away from the dishwasher when its door is open.

In daily use

- Never place the dishwasher in operation if the mains cable, water inlet or drain hose is damaged, or the control panel, or plinth area is damaged such that the inside of the appliance is freely accessible.
- In the event of a fault, first close the tap, then switch off the appliance and unplug it from the mains. If the appliance is permanently wired to the mains, remove the fuse.
- When removing the electrical plug, grip the plug, not the lead.
- Repairs to the dishwasher are only to be carried out by qualified service engineers. Improper repairs can give rise to significant hazards for the user. If your appliance needs repairing, please contact your local AEG Service Force Centre. Use only spare parts supplied by these.
- If the mains lead is damaged, or is to be replaced for a longer lead, the cable (obtainable from AEG Service Force) must be replaced by a service engineer authorised by AEG.
- Do not put any solvents in the dishwasher. There is a risk of an explosion!
- Do not sit or stand on the open door, the appliance may tip over.
- Before using special dishwasher salt, detergent or rinse aid, make sure that the manufacturer of these products expressly specifies their use in domestic dishwashers.
- The water safety system protects against water damage. The following requirements must be fulfilled:
 - The dishwasher must remain connected to the mains supply when switched off.
 - The dishwasher must be correctly installed.
 - Always shut off the water supply whenever the dishwasher is left unattended for an extended period.

Disposal

Disposing of the packaging material

Caution!

Never leave packaging material in a place where children may play with it.

All materials used in packaging this appliance are environmentally-friendly. The cardboard components of the packaging are made from recyclable paper and should be taken to a collection point for recycling.

>PE< for polyethylene, e.g. sheet wrapping material

>PS< for polystyrene, e.g. padding material (always CFC-free)

The appliance contains plastic and rubber components. These have identifying marks to show what they are made from, so they can be recycled or disposed of properly at the end of the appliance's life cycle. The materials are identified according to international standards.

Disposal of old appliances

At the end of the appliance's useful life, disconnect the electrical plug from the power supply, then cut the electrical lead at the point where it enters the appliance. Make quite sure that children will not be able to play with it.

General information



Economical and ecological dishwashing

- Only connect the dishwasher to a cold water supply.
- Ensure that the water softener is correctly adjusted.
- Do not pre-rinse dishes under running water.
- Select the wash programme to suit the nature and degree of the soiling on the dishes.
- Do not use more detergent, special salt or rinse aid than is recommended in this instruction booklet and by the detergent manufacturer.

For washing in the dishwasher the following are not suitable:

- wooden platters
- plastic items that are not heat resistant
- lead crystal glass
- pewter or copper items
- bonded cutlery items or dishes
- older cutlery with cement that is not temperature resistant
- cutlery with wooden, horn, china or mother of pearl handles

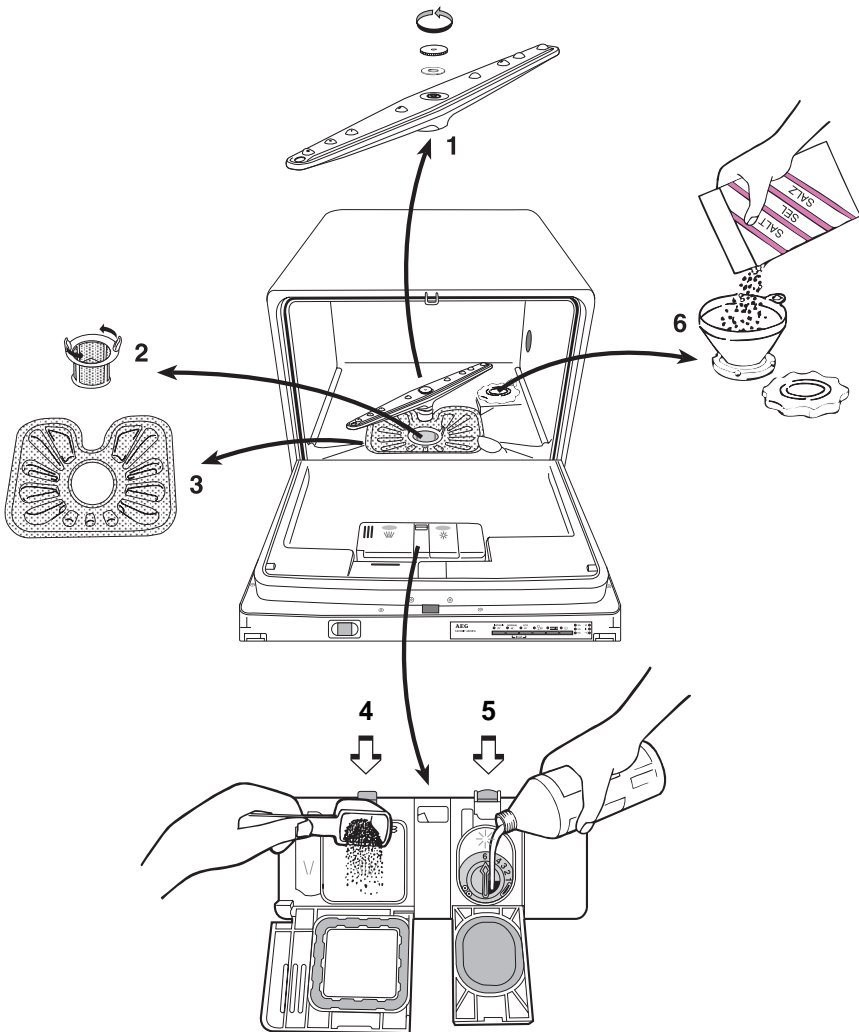
For washing in the dishwasher the following are of limited suitability:

- Only wash stoneware in the dishwasher if it is specifically marked as being dishwasher safe by the manufacturer.
- Glazed patterns may fade if machine washed frequently.
- Silver and aluminium parts have a tendency to discolour during washing. Left-overs, e.g. egg white, egg yolk and mustard often cause discolouring and staining on silver. Therefore always clean left-overs from silver immediately, if it is not to be washed straight after use.
- Some types of glass can become dull after a large number of washes.



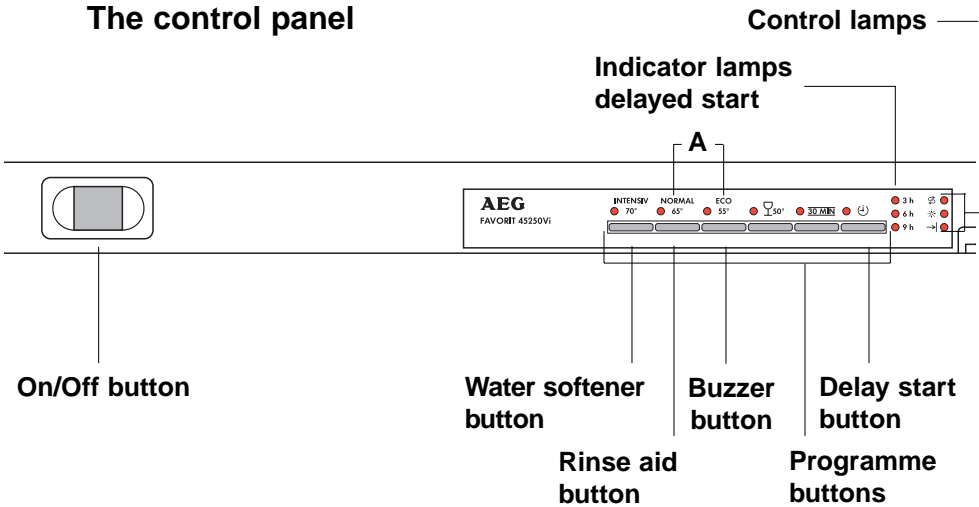
Make sure you always buy articles that are dishwasher safe.

Description of the appliance



- 1 Spray arm**
- 2 Coarse filter/microfilter**
- 3 Fine filter**
- 4 Detergent dispenser**
- 5 Rinse aid dispenser**
- 6 Salt container**



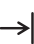
The control panel



Combination buttons "A":

In addition to selecting a programme, you can press these two buttons to adjust the setting of the water softener, switch off the buzzer and rinse aid dispenser.

Control lamps:

- Shows that
- Refilling of salt is necessary 
 - Refilling of the rinse aid is necessary 
 - End of programme 

Prior to using for the first time

Adjusting the water softener

To prevent the build up of lime on the dishes and in the dishwasher, the dishes must be washed with soft water i.e. water with a low lime content. This dishwasher is equipped with a water softener in which tap water from a hardness of 4°d (german degree) is softened with the aid of special salt.

Adjust the water softener according to the table below for the water hardness level for your area. Contact your local Water Authority to find the exact water hardness level for your area.

The water softener has 5 settings:

Water hardness		Setting on the water softener	Number of light and sound signals
°d ¹⁾	mmol/l ²⁾		
> 24	> 4,2	5	5
18 - 24	3,2 - 4,2	4	4
12 - 18	2,1 - 3,2	3*	3
4 - 12	0,7 - 2,1	2	2
below 4	below 0,7	1 no salt is needed	1

1) german degree of measurement for the water hardness

2) millimol, international unit for water hardness

*) factory setting

The dishwasher must be switched off.



1. Press in the On/Off button.
2. Press the combination buttons simultaneously and hold them pressed in. When the first three programme indicator lamps starts to flash, you can let go of the buttons.
3. Press the water softener button once. The lamps for the water softener and for the end of programme starts to flash and a buzzer will sound, unless it is switched off.
 - The number of flashes for the end of programme and sound signals are equivalent with the set water hardness level.
 - This sequence of flashes and sound is repeated several times after a few seconds pause.
4. The water hardness level is raised by 1 step every time you press the water softener button.



After hardness level 5 comes hardness level 1.

5. Once the hardness setting is set correctly, press the On/Off button.



If the setting 1 is chosen, the salt indicator lamp is not lit.

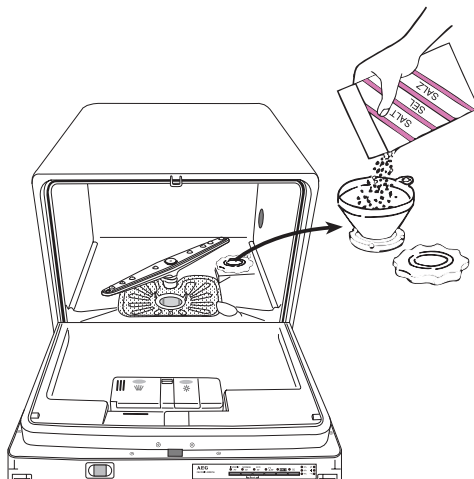
Filling with salt for the water softener

Caution!

Use only salt designed for dishwashers. Never fill the salt container with any another type of salt or dishwasher detergent as this would irreparably damage the water softener.

Prior to filling with salt, please check each time that you really do have a packet of dishwasher salt in your hand.

1. Unscrew the filler cap to the salt container anticlockwise.
2. Fill the salt container with water (only the first time).
3. Fill the container with coarse salt, using the funnel supplied.
4. Remove the funnel and wipe off any spillage around the filler opening.
5. Screw the filler cap back properly in place.



Fill with dishwasher salt:

When the indicator light  on the control panel is lit.


Filling the rinse aid

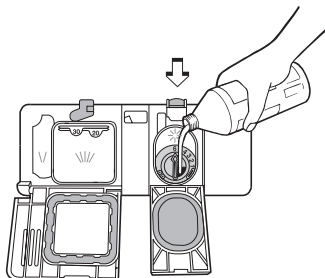
Use of rinse aid will result in cleaner and faster drying of the load, since it helps water and soil to run off. Too much rinse aid may result in streakiness, too little may cause white spots.

Caution!

Only use rinse aid specifically designed for domestic dishwashers. Never fill the rinse aid dispenser with any other substance (e.g. vinegar concentrate or dishwasher detergent) as this would damage the appliance.

The rinse aid dispenser is on the inside of the dishwasher door.


-  1. Open the lid to the dispenser by pressing the lid catch towards the compartment and lift the lid.
2. Fill up with rinse aid; do not overfill. The dispenser will hold approx. 150 ml.
3. Wipe off any spillage carefully to prevent excessive foaming during the next wash programme.
4. Close the lid and press until it locks again.




Fill with rinse aid:


When the indicator light  on the control panel is lit.

Switching the rinse aid dispenser off

 If dishwasher detergent with rinse aid is used, you can switch off the rinse aid dispenser and the lamp that indicates that the rinse aid dispenser is empty.

The dishwasher must be switched off.

-  1. Press in the On/Off button.
2. Press the combination buttons simultaneously and hold them pressed in. When the first three programme indicator lamps starts to flash, you can let go of the buttons.
3. Press the rinse aid button once. The lamp for the rinse aid button starts to flash and the lamp for the end of programme is lit. Press the button once more and the lamp for the ended programme cycle goes out. Now the function for the rinse aid dispenser is off and the control lamp is out.
4. Press out the On/Off button to complete the setting.

 To reset the function, follow steps 1 and 2 above and then press the rinse aid button twice, until the lamp for the ended programme cycle is lit again.

Adjusting rinse aid dosing

The dispenser holds about 150 ml. This is enough for approx. 60 wash cycles, depending on the dosage setting. Adjust the dosage setting according to the hardness of the water.

You can set the dosage between 1 - 6, equivalent to 1 - 6 ml rinse aid. Factory setting is 1. Begin at the lowest dosage setting and increase if necessary by turning the setting arrow with e.g. the handle of a spoon.

Filling with detergent

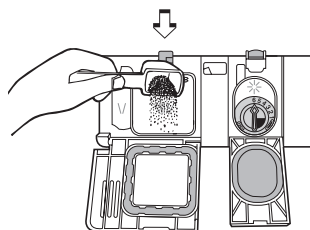
Caution!

Only use detergents specially designed for dishwashers.

The detergent is released into the wash water during the programme.

Please observe the manufacturer's dosing and storage recommendations as stated on the detergent packaging. Remember that the instructions usually refer to full-size dishwashers, for example when using detergent tablets, it is sufficient to use just half a tablet.

1. Open the lid to the dispenser by pressing the lid catch towards the compartment.
2. Filling with detergent.
Pre-wash detergent is poured into the smaller compartment to the left when needed.
3. Close the lid.



Detergent tablets



Detergent tablets of different makes dissolve at different speeds. For this reason some detergent tablets cannot develop their full cleaning power during short programmes. Therefore please use normal programmes with pre-wash when using detergent tablets.

Programme chart

Type of dishes	Plates and cooking pots	All types of dishes
Type of soil:	<ul style="list-style-type: none"> • heavily soiled • dried-on food remnants especially eggwhite and starch 	<ul style="list-style-type: none"> • normally soiled • dried-on food remnants
Suitable programme:	INTENSIVE 70°	NORMAL 65°
Programme cycle: ¹⁾	Pre-wash Washing 2 x rinses Final rinse Drying	Pre-rinse Washing Rinse Final rinse Drying
Washing time with drying: ²⁾	112 minutes	92 minutes
Drying time: ²⁾	13 minutes	13 minutes
Energy: ²⁾	1,15 kWh	0,80 kWh
Water: ²⁾	9 litres	7 litres

1) Noise levels vary at different stages of the wash programme as at some programme stages the dishes are washed more energetically so that they will be cleaned more thoroughly.

2) The consumption figures were determined under standard conditions. They are intended as a guide only and depend on the loading. For this reason figures may vary in practice.



All programmes begin with a drain.

All types of dishes		Coffee cups, delicate items
• normally soiled	• lightly soiled	• lightly soiled
ECO 55°	GLASS 50°	30 MIN 40°
Pre-rinse Washing Rinse Final rinse Drying	- Washing Rinse Final rinse -	- Washing Rinse Final rinse -
150 minutes	35 minutes	30 minutes
54 minutes	-	-
0,63 kWh	0,40 kWh	0,35 kWh
7 litres	6 litres	6 litres

Loading the dishes

- Always place glasses, cups and bowls upside down.
- Incline deep dishes (soup plates etc.) so that the water can run off when drying.
- Make sure that the dishes do not rest against each other. This is particularly important in regard to the cutlery basket - nested spoons, etc. simply cannot be properly washed. The water must get at all the soiled surfaces.
- Make sure that cutlery with slender handles and other items do not protrude through the openings in the basket and prevent the spray arm from rotating.
- Never put silver and stainless steel objects together. When these metals come into contact with each other a chemical reaction occurs which stains the silver.
- When washing delicate items, select the programme with the lower wash temperature.
- Substances such as ketchup containing strong colouring agents can cause temporary discolouration to the interior of the dishwasher.

Caution!

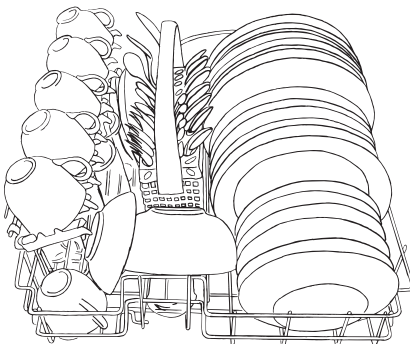
Do not place sharp knives with their points upwards. It is much safer to lay them horizontally in the main basket.

i If required, the top and the handle to the cutlery basket are removable.

Baskets


Main basket

Cutlery basket




Using the appliance

Starting the programme

-  1. Scrape off solid food remnants.
2. Load the dishwasher.
3. Put the correct amount of detergent into the detergent dispenser and close the dispenser lid.
4. Press in the On/Off button. All programme indicator lamps are lit.
5. Press in the required programme button (see programme chart). All other programme indicator lamps goes out.
6. Close the door.


Stopping the programme temporarily

-  1. Open the door. The programme stops.
2. The programme indicator lamp is lit.
3. Close the door and the programme continues after about 6 seconds.



Open the door carefully when the dishwasher is running, since hot steam may escape which could damage surrounding cabinetry and could cause an injury.

Cancelling the programme


-  1. Open the door.
2. Press and hold in the combination buttons, the machine goes to starting position and all programme indicator lamps are lit.
3. Release the buttons. The programme is now cancelled and a new programme can be selected.



If you switch the dishwasher off, the selected programme is not finished, it is only disrupted. When you start the dishwasher again, the programme will continue.

Pause function

With the paus function the programme can be temporarily disrupted for a short period of time.

-  1. Open the door and press the On/Off button. The programme stops.
2. All lamps goes out.
3. When you want the programme to continue again, press the On/Off button once more and close the door. The programme continues.




The programme should not be paused for any longer than necessary, because the water inside the dishwasher has cooled down and must be heated again which increases the power consumption.

Cancelling the drying phase

In case you do not want to wait until the drying phase is completed, you can cancel it by open the door. The drying phase is now cancelled.

Setting the delay start

The programme start can be delayed by 3, 6 or 9 hours.

-  1. Press in the On/Off button.
2. Press the delay start button repeatedly, until the lamp next to the required hours of delay is lit.
3. Press the button for the required programme.
4. After the set delayed start time has elapsed, the programme starts.

Reset the delayed start:


If the programme has not started, you can change the set time with the delay start button.

Cancelling the delayed start:

If the programme has not started, the delayed start can be cancelled. Press the delay start button repeatedly, until none of the lamps next to the hours are lit. The required programme starts immediately.

Switching the buzzer off

Before switching the buzzer off, any selected programme must have finished.


-  1. Press in the On/Off button.
2. Press the combination buttons simultaneously and hold them pressed in. When the first three programme indicator lamps starts to flash, you can let go of the buttons.
3. Press the buzzer button once. The lamp for the buzzer button starts to flash and the lamp for the ended programme cycle is lit. Press the button once more and the lamp for the ended programme cycle goes out. Now the buzzer is off.
4. Press out the On/Off button to complete the setting.



To reset the function, follow steps 1 and 2 above and then press the buzzer button twice, until the the end of programme lamp is lit again.

Switching the dishwasher off / unloading

Switch the dishwasher off when the end of programme buzzer sounds (approx. 15 seconds) or the end of programme lamp is lit.

-  1. Open the door and press the On/Off button.
2. Leave the dishes in the dishwasher for approx. 15 minutes after the end of the programme so that they dry better and cool down.
3. Once the dishes have been removed from the dishwasher, check the filters to see if they need to be cleaned.



Hot dishes are sensitive to mechanical shocks. Always let the dishes cool down before unloading the dishwasher.

Care and cleaning

Machine

Clean the outside surfaces of the appliance using a mild (non-abrasive) household cleaning product. Finish by removing remaining traces of the product with a damp cloth.

Caution!

Do not use cleaning products which contain alcohol (spirits), thinners and similar substances.

Spray arm (1)

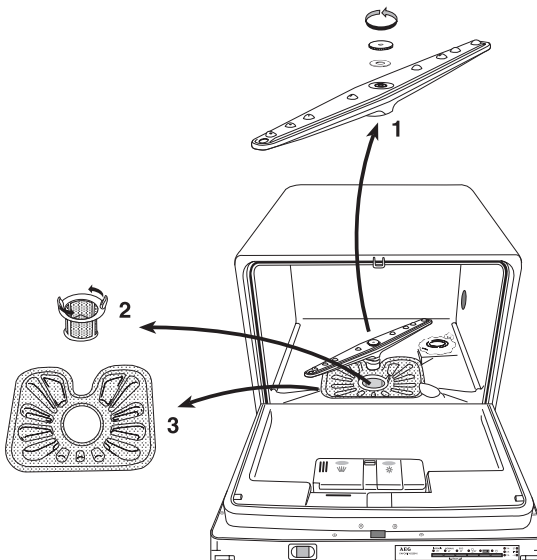
It is important to keep all the holes in the spray arm clear. A clogged hole can seriously affect washing efficiency. If the spray arm needs cleaning, unscrew the nut anti-clockwise, remove the washer and lift off the spray arm. Clear the holes and shake out any food remnants.

Coarse filter/microfilter (2)

The purpose of the coarse filter is to catch large objects such as toothpicks and pieces of eggshell. Make sure that the filter is always clean. Turn the coarse filter anti-clockwise. Lift it out and rinse it under running water whenever necessary.

Fine filter (3)

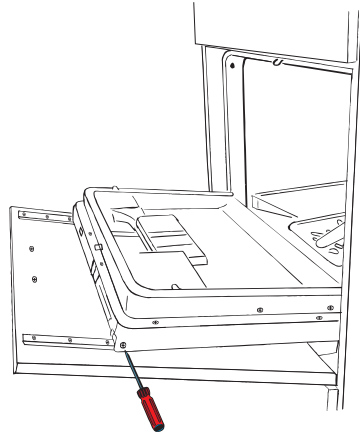
It is just as important to keep this filter clean. A dirty or clogged filter will always impair washing efficiency. The fine filter can easily be lifted out for cleaning when you have removed the coarse filter.



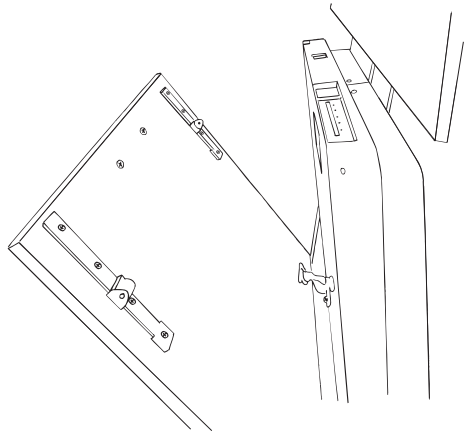
Cleaning the outer door

It is possible to remove the outer door from the plastic door in order to clean inside it if necessary.

- 1. Unscrew the screws that hold the guides in the upper corners of the plastic door.
- 2. The outer door should be supported when opened out in order to prevent the hinges from breaking off.
- 3. If necessary, the door can be dismantled completely by inserting a screwdriver or similar tool into the predrilled holes of the shelf under the hinges snap function.



When mounting the outer door, snap the hinges into place and screw the guides back.



Protecting against freezing

Caution!

If the dishwasher is placed in an environment where the temperature sometimes fall below 0° C, there is a risk that the small amount of water which remains inside the parts of the dishwasher will freeze and damage it.

- 1. Turn off the water supply to the dishwasher.
- 2. Remove the water inlet and discharge hoses.
- 3. Make sure that there is dishwasher salt in the salt container for the water softener.



The appliance is only to be used and stored indoors at normal room temperature. The manufacturer accpets no responsibility for any frost damage.

What to do if...

Before calling out an engineer, please check through the details below because some faults can be rectified easily without the need to call out an engineer.

Fault	Check
<p>The programme will not start.</p>	<p>Is the door closed properly? Have you pressed the On/Off button? Is the water tap turned on? Is the dishwasher plugged in? Has the fuse blown? Is the delayed start-button pressed in? Is the previous programme finished?</p>
<p>The dishwasher is not filling with water.</p>	<p>Is the water tap turned on? Has your domestic water supply been cut off temporarily? Is the water inlet hose kinked or blocked? Is the filter inside the inlet hose blocked? Is the water pressure too low?</p>
<p>Water not discharged at end of cycle.</p>	<p>Did you open the door before the programme cycle finished? Are the filters clogged?</p>
<p>Dishes not washed satisfactorily.</p>	<p>Has anything prevented the spray arm from rotating? Are the spray arm holes clogged? Were the dishes packed too close together? Are the filters clogged? Are the filters fitted correctly in place? Did you use enough detergent? Is the salt container cap properly closed? Did you select a programme with too low temperature? Is the rinse aid dispenser empty?</p>

Fault	Check
Visible lime deposits or white film on the dishes.	Is the salt container empty? Is the water softener not correctly adjusted? Is the rinse aid dispenser empty? Is the rinse aid dispenser adjusted to too low dosage?
The dishwasher is noisy.	Are the dishes rattling against each other? Is the spray arm knocking against the dishes?
Whistling sound when washing.	This is not a fault, try another brand of detergent.
The dishes are not quite dry and are not shiny.	Is the rinse aid dispenser empty? Is the rinse aid dispenser adjusted to too low dosage? Have the dishes been left too long inside the dishwasher?
The door is difficult to close.	Is the dishwasher level?

If the end of programme indicator lamp is flashing, it is possible that you can solve the problem your self. When the problem is solved, press in the On/Off button and the programme continues. If the problem occurs again, contact your local service centre. If any other lamps flash contact and inform your local service centre.

Fault	Check
The end of programme indicator lamp is flashing and a sound signal is emitted.	Is the water tap turned on? Is the filter inside the inlet hose blocked? Is the water inlet hose kinked or blocked?

Service

Service and Spare Parts

In the event of your appliance requiring service, or if you wish to purchase spare parts, please contact your local Service Force Centre by telephoning:

08705 929929

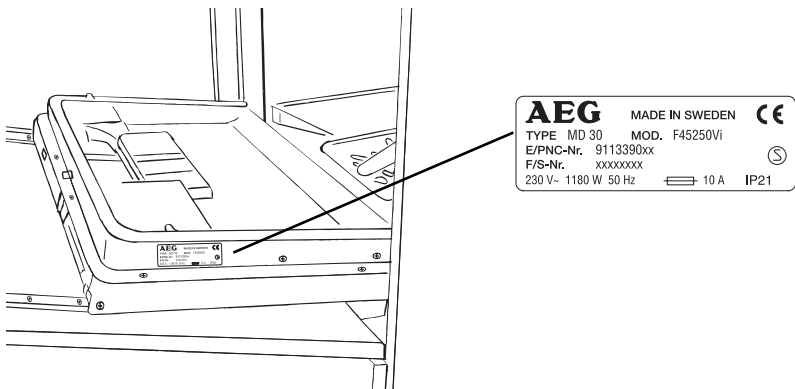
Your telephone call will be automatically routed to the Service Force Centre covering your post code area.

For the address of your local Service Force Centre and further information about Service Force, please visit the website at www.service-force.co.uk

Before calling out an engineer, please ensure you have read the details under the heading "What to do if.."

When you contact the Service Force Centre you will need to give the following details:

1. Your name, address and post code
2. Your telephone number
3. Clear and concise details of the fault
4. The model and serial number of the appliance (found on the rating plate)



5. The purchase date

Please note that a valid purchase receipt or guarantee documentation is required for in-guarantee service calls.

Customer Care Department

For general enquiries concerning your AEG appliance or for further information on AEG products, please contact our Customer Care Department by letter or telephone at the address below or visit our website at www.aeg.co.uk

Customer Care Department
AEG Domestic Appliances
55-77 High Street
Slough
Berkshire
SL1 1DZ
Tel: 08705 350350 *

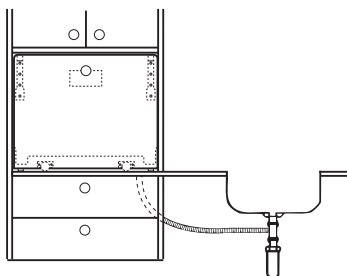
* call to this number may be recorded for training purposes.

Information for test centres

The salt container and rinse aid dispenser shall be filled in accordance with this instruction manual.

Before conducting the measurements the dishwasher shall be operated for one or two complete cycles using detergent and a clean load.

Test standard:	EN 50242 and EN 60704
Rated capacity:	6 place settings accordance EN 50242
Loading of basket:	see chapter "Loading the dishes"
Test program:	Eco 55° C
Detergent (IEC Type B):	15 gram in the dispenser + 3 gram in the pre-wash dispenser
Rinse aid (Type III):	setting 3
Water pressure:	minimum 0,8 bar, maximum 10 bar
Waste water outlet:	Install according to figure below



Position and connection instructions

Technical specifications

Capacity:	6 place settings acc. EN 50242	
Dimensions:	Height	447 mm
	Width	546 mm
	Depth	493,5 mm
Weight:	Net	22 kg
Water pressures:	Minimum	80 kPa (0,8 bar)
	Maximum	1000 kPa (10 bar)
Water temperature:	Maximum	25° C
Electrical data:	Power supply	230 V ~ 50 Hz
	Fuse	13 A
	Heating element	1000 W
	Power rating	1080 W



- This appliance complies with the following E.E.C. directives:
- 73/23/EEC, dated 19.02.1973 – low-voltage directive.
 - 89/336/EEC, dated 03.05.1989 (incl. amendment
 - 92/31/EEC) – directive on electromagnetic compatibility.

Installation

Unpacking

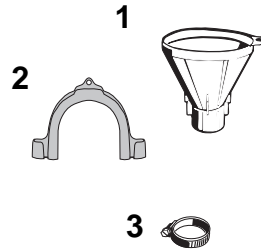
Check the dishwasher for transport damage. Never connect a damaged machine. In the case of damage, please contact your retailer.

Caution!

Keep all packaging away from children.

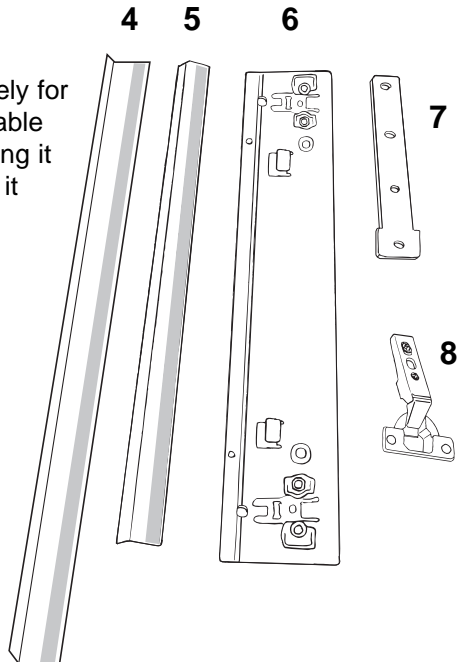
Check that the following accessories are supplied with the dishwasher when you unpack it:

- A funnel for filling salt (1)
- Elbow for discharge hose (2)
- Hose clip for discharge hose (3)
- Protective strip (4)
- Gap strips 2x (5)
- Mount plate (6)
- Guide rods 2x (7)
- Hinges 2x (8)
- Plastic bag with screws, washers and spacers



Use

This dishwasher is designed solely for washing household utensils suitable for washing in a dishwasher. Using it for other purposes may damage it and invalidate the guarantee.



Position

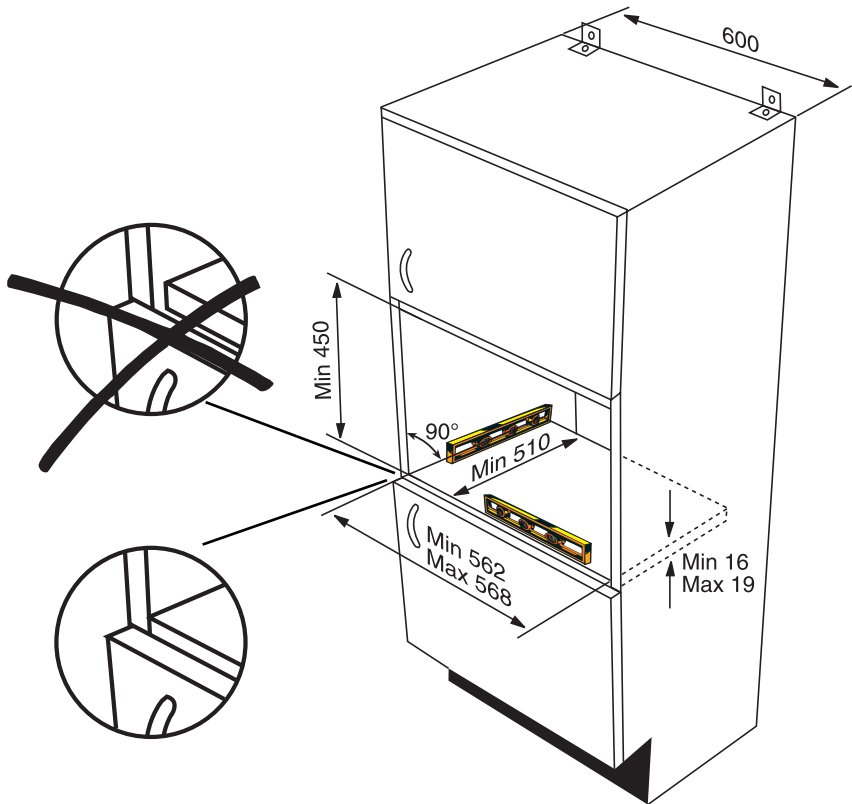
The machine is basically designed to be built into a cupboard. It is vital to ensure that the machine is positioned on a horizontal level in order for it to function properly and so that the door can be properly closed.



Make sure that the shelf for the dishwasher is properly secured inside the cupboard.

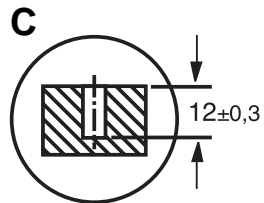
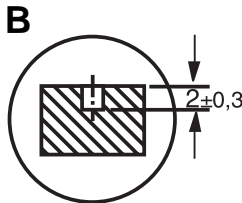
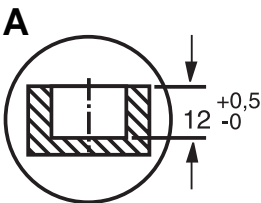
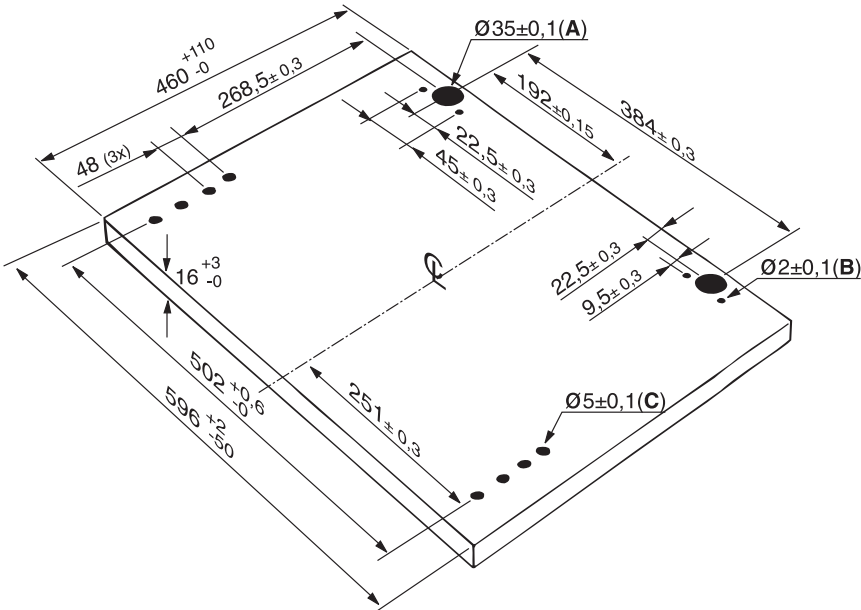


The cupboard must be secured properly onto the wall and the front edge of the shelf must be level with the sides of the cupboard.



Measurements for fitting a wooden door

Optional doors are available in aluminium and stainless steel. Please contact your dealer. If you would like a wooden door, drill or mill respectively as per the diagram below (your wooden door supplier has the requisite tools), holes for the hinge locking plates (A) diameter 35 mm, predrill the holes for the hinge brackets (B) diameter 2 mm and guide rods (C) diameter 5 mm. Weight of the door including handle max. 4,7 kg to get good balance.




Preparing the outer door

Screw the guide rods and hinges on the door into place using the predrilled holes.

Mount plate

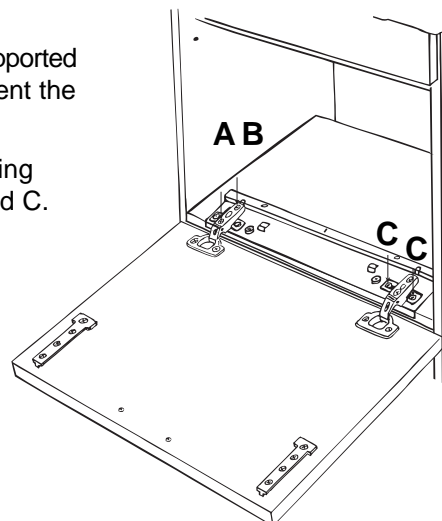
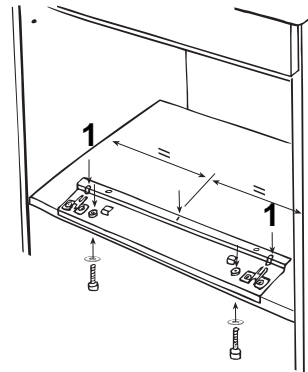
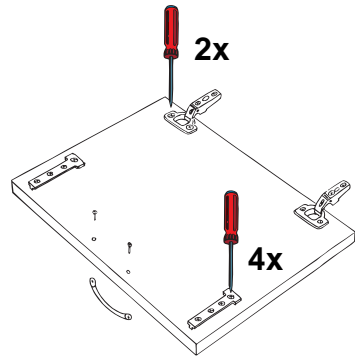
Before installing the dishwasher and adjusting the door onto the cupboard, put the mount plate into its correct position on the shelf.

-  1. Place the mount plate in the middle of the cupboard. Mark the holes for screws and the holes for dismounting the outer door. There is a middle mark on the plate to help you.
2. Drill 4 holes with a diameter of 7 mm. The door can be disconnected if necessary, through hole 1 (two holes).
3. Then screw the plate into place from underneath using the 2 screws provided, with the washers between.
4. Snap the hinges into the brackets on the mount plate.



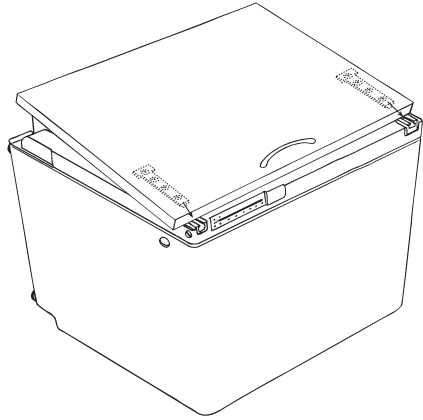
The outer door should be supported underneath in order to prevent the hinges from breaking off.

5. Adjust the door to surrounding doors using screws A, B and C.



Mounting the outer door

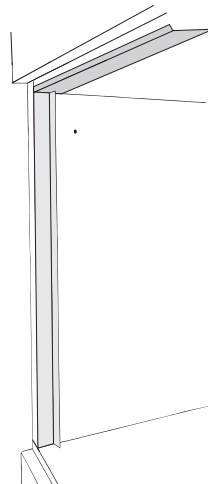
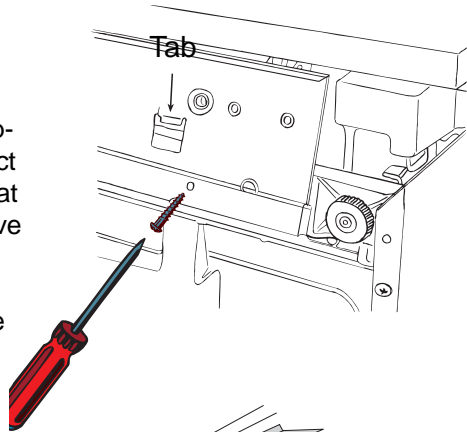
1. Unscrew the screws on the mount plate. Lift the plate off together with the door.
2. Lay the machine down on its back. Check that none of the hoses are trapped. Insert the guide rods into the plastic door guides.
3. Slot the tabs on the mount plate into the holes on the front plinth of the machine and screw the mount plate into place using the 2 screws provided.



Fitting protective and cap strips

In order to fill the gap between the cupboard and the dishwasher and to protect the cupboard above from any steam that comes out of the washer, a self-adhesive protective strip is attached along the upper edge of the cupboard and two gap strips are attached along the edge of the cupboard.

1. Clean all surfaces where the strips are to be attached to ensure better adhesion.
2. Attach the protective strip along the upper edge of the cupboard. If it is too long, it can easily be cut to the right length.
3. Attach the two gap strips along each side of the cupboard, level with the front edge of the sides.

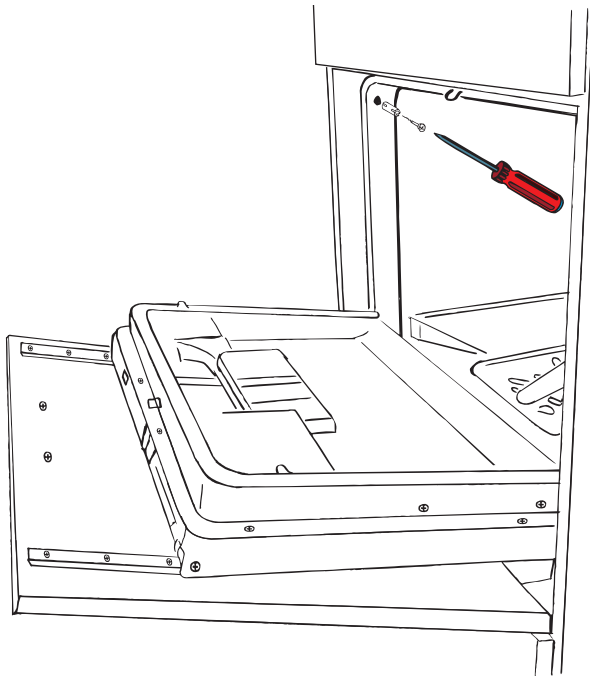


Mounting the dishwasher

1. Put the dishwasher into the cupboard and screw the mount plate into position from underneath with 2 screws, with the washers between.
2. Put the spacers provided at the sides of the machine and screw the machine into place in the cupboard.



Check that there is a space between the cupboard frame and the wooden door when it is shut.



Water inlet

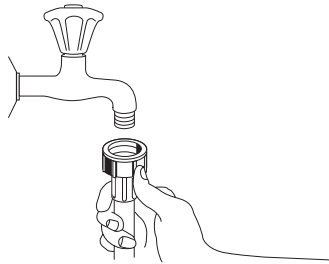


The dishwasher is equipped with safety features which are to prevent the water from going back to the fresh water system. These features are according to current water technical safety regulations.

The dishwasher must be connected to a cold water supply and the pressure should be between 80-1000 kPa (0,8 - 10 bar).

It is important to have a tap or stopcock, positioned close to the dishwasher and with easy access. Special mixer taps with dishwasher connections are available, as well as adaptors for older mixer taps. Connect the inlet hose to a tap with a 3/4" pipe thread.

The inlet hose must not be joined onto any form of extension hose. If it is too short, the entire hose must be replaced with a longer highpressure hose, specially designed for the purpose. The end of the hose, which is connected to the dishwasher can be turned in any direction. Loosen the retaining nut, turn the hose, then retighten the nut.



Check that the nut is tight before the machine is moved into position.



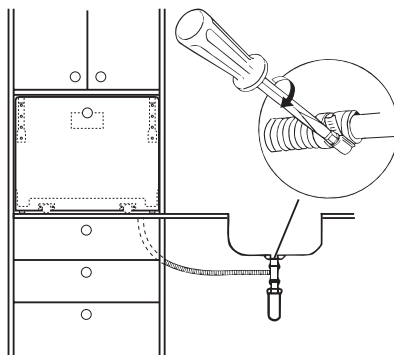
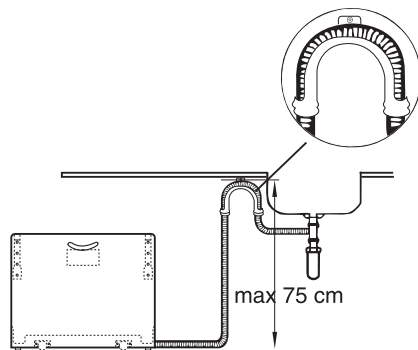
Use only the inlet hose supplied to the dishwasher, do not reuse the old inlet hose.

Water drainage

i To protect the dishwasher against water damage it is equipped with a water safety system. In the event of a fault the drainpump starts automatically and the remaining water inside the dishwasher is pumped out.

The water safety system also works when the dishwasher is switched off. However the dishwasher must be connected electrically.

The discharge hose must not at any point be higher up than 75 cm over the surface which the dishwasher is standing on. If it runs higher, operation of the dishwasher might be impaired. The hose should always be routed at the level which the dishwasher is standing on, rising up only where it meets the waste pipe. It is also important to ensure that the inside diameter of the hose is not less than 13 mm at any point.



Electrical connection

The dishwasher is supplied with a lead and electrical plug for connection to a 230 V earthed wall socket, which should be easily accessible and protected by a 13 A fuse.



Before any work is carried out on the dishwasher, it must be isolated from the electric mains supply, for example by removing the plug from the wall socket.



Permanent electrical installation must be carried out by an authorized electrician.

WARNING: THIS APPLIANCE MUST BE EARTHED.

The manufacturer declines any liability should this safety measure not be observed.

If the plug that is fitted to your appliance is not suitable for your socket outlet, it must be cut off and the appropriate plug fitted. Remove the fuse from the cut off plug. The cut off plug should then be disposed of to prevent the hazard of shocks in case it should be plugged into a 13 amp socket in another part of your home.

Important

The wires in the mains lead are coloured in accordance with the following code:

Green and Yellow	- Earth
Blue	- Neutral
Brown	- Live

If you fit your own plug, the colours of the wires in the mains lead of your appliance may not correspond with the markings identifying the terminals in your plug, proceed as follows:

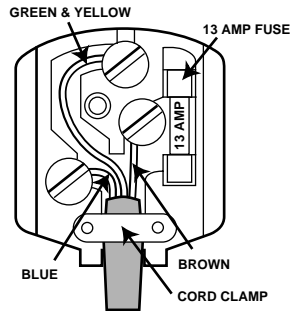
Connect the Green and Yellow (earth) wire to the terminal in the plug which is marked with the letter «E» or the earth symbol \oplus or coloured green and yellow.

Connect the blue (neutral) wire to the terminal in the plug which is marked with the letter «N» or coloured black.

Connect the brown (live) wire to the terminal in the plug which is marked with the letter «L» or coloured red.

The plug moulded onto the lead incorporates a fuse.

For replacement, use a 13 amp BSI362 fuse. Only ASTA or BSI approved fuses should be used.



822 61 10-19

 **From the Electrolux Group.** *The world's No.1 choice.*

The Electrolux Group is the world's largest producer of powered appliances for kitchen, cleaning and outdoor use. More than 55 million Electrolux Group products (such as refrigerators, cookers, washing machines, vacuum cleaners, chain saws and lawn mowers) are sold each year to a value of approx. USD 14 billion in more than 150 countries around the world.

 02-12

© Electrolux plc 2002